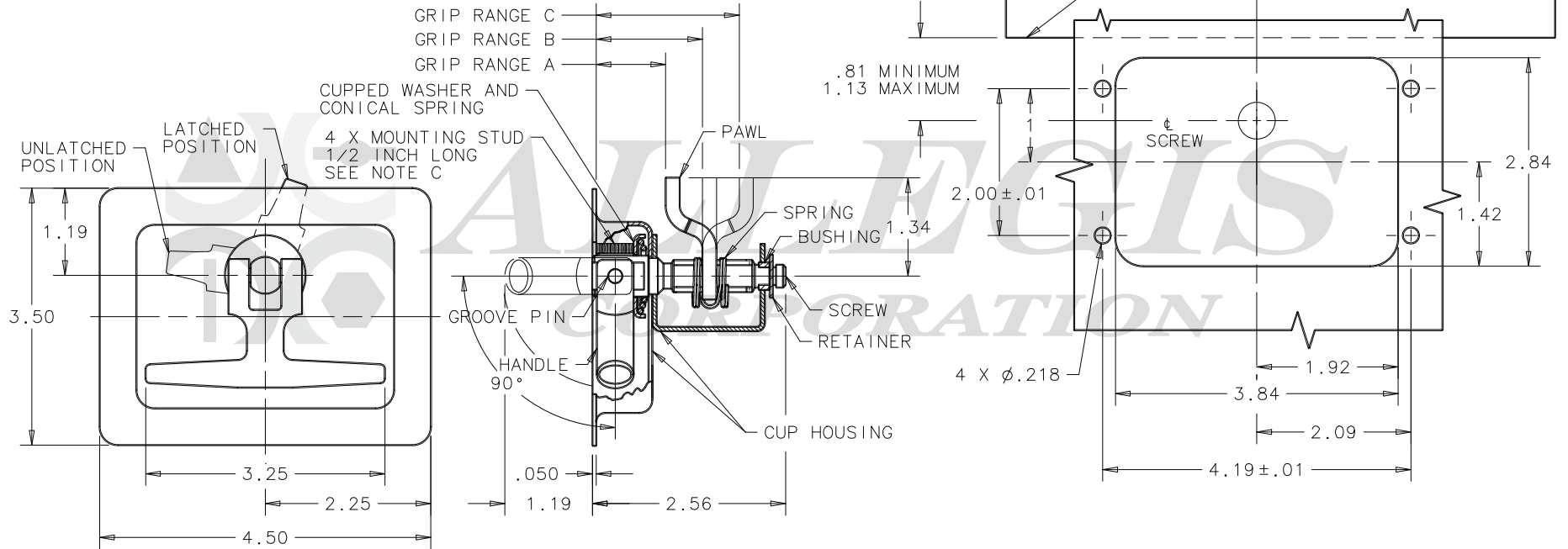


PANEL PREPARATION

ASSEMBLY	PAWL	GRIP RANGE	
		LETTER	MIN MAX
24-20-101-35	62-18-301-17	A	.45 1.37
24-20-102-35	62-18-302-17	B	.95 1.86
24-20-104-35	62-18-301-17	C	1.45 2.32



<p>www.ALLEGISCORP.com 1-866-378-7550</p>		<p>MATERIAL / FINISH : Stainless Steel</p>	
<p>REV. : 1 : 1</p>	<p>DATE : 5-1-2018</p>	<p>DESCRIPTION : T-Handle</p>	<p>DRAWING NO. : 24-20-102-35</p>